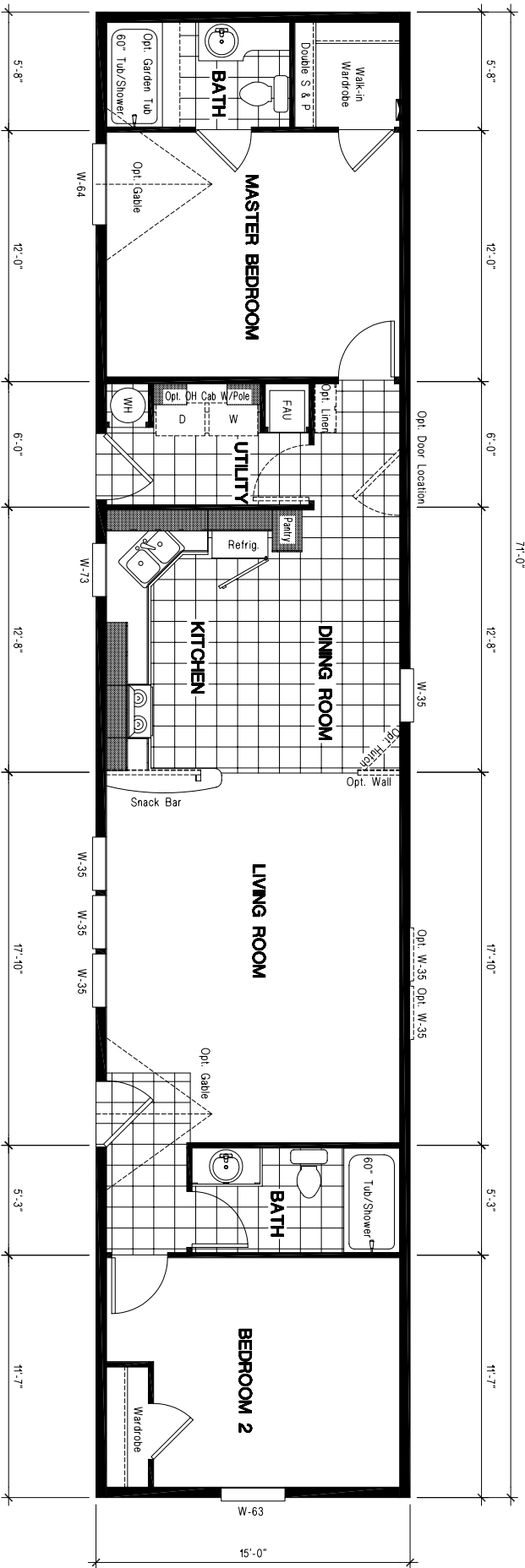
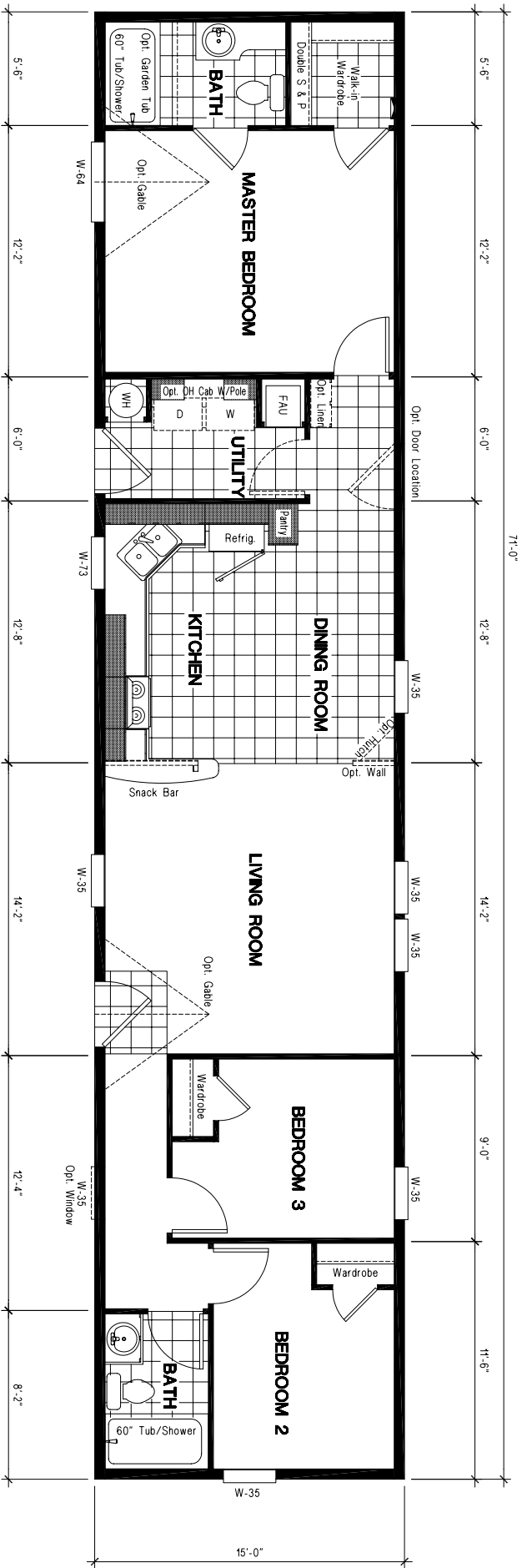


OPTIONAL BEDROOM 3 ON SHEET B



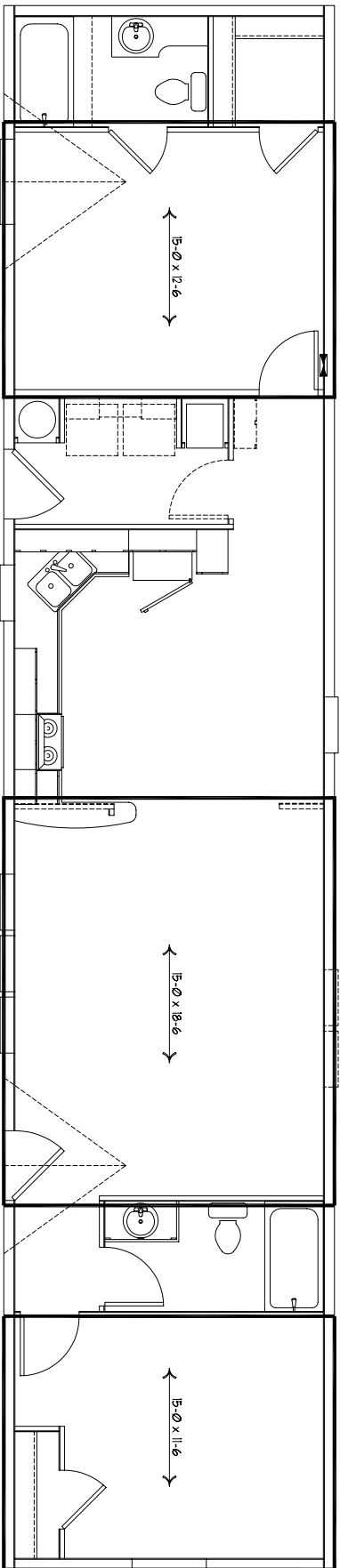
GEC 711 N

2 BEDROOM, 2 BATH, - 1065 SQ. FT.



OPTIONAL 3RD BEDROOM

GEC 711 N
OPT. 3 BEDROOM, 2 BATH, - 1065 SQ. FT.



STANDARD CARPET
 LIVING ROOM
 BEDROOM 1
 BEDROOM 2
 MASTER BEDROOM
 TOTAL 42'-6"

OPTIONAL CARPET
 KITCHEN/DINING ROOM 12'-6"
 UTILITY/HALL 6'-0"
 MASTER BATH/WARDROBE 5'-0"
 GUEST BATH 5'-0"

 (30# ONLY)
 (20# & 30# ONLY)

PIER NO.	PIER CAPACITY (LBS.)	FOOTING SIZE REQUIRED (SQ. IN.)			PIER NO.	PIER CAPACITY (LBS.)	FOOTING SIZE REQUIRED (SQ. IN.)			PIER NO.	PIER CAPACITY (LBS.)	FOOTING SIZE REQUIRED (SQ. IN.)		
		1000 PSF	1500 PSF	2000 PSF			1000 PSF	1500 PSF	2000 PSF			1000 PSF	1500 PSF	2000 PSF
①	2000	288	192	144	③	4000	576	384	288	⑤	6000	864	576	432
②	2500	360	240	180	④	5000	720	480	360	⑥	8000	1152	768	576
PIER NO.	PIER CAPACITY (LBS.)	FOOTING SIZE REQUIRED (SQ. IN.)			PIER NO.	PIER CAPACITY (LBS.)	FOOTING SIZE REQUIRED (SQ. IN.)			PIER NO.	PIER CAPACITY (LBS.)	FOOTING SIZE REQUIRED (SQ. IN.)		
		1000 PSF	1500 PSF	2000 PSF			1000 PSF	1500 PSF	2000 PSF			1000 PSF	1500 PSF	2000 PSF

Manufacturing West, Inc.

Albany Division - Plant #972
 2445 S.W. PACIFIC BLVD.
 ALBANY, OR 97321
 Phone (541) 926-8631
 Fax (866) 491-6847

DRAWING TITLE

CARPET & PIER SUPPORT LOCATIONS

DRAWING FILE INFORMATION

ALBANY DIVISION (6" WALLS)

DRAWN BY :

G. LUND

PRODUCT

GEC

SQ. FT. 1,065

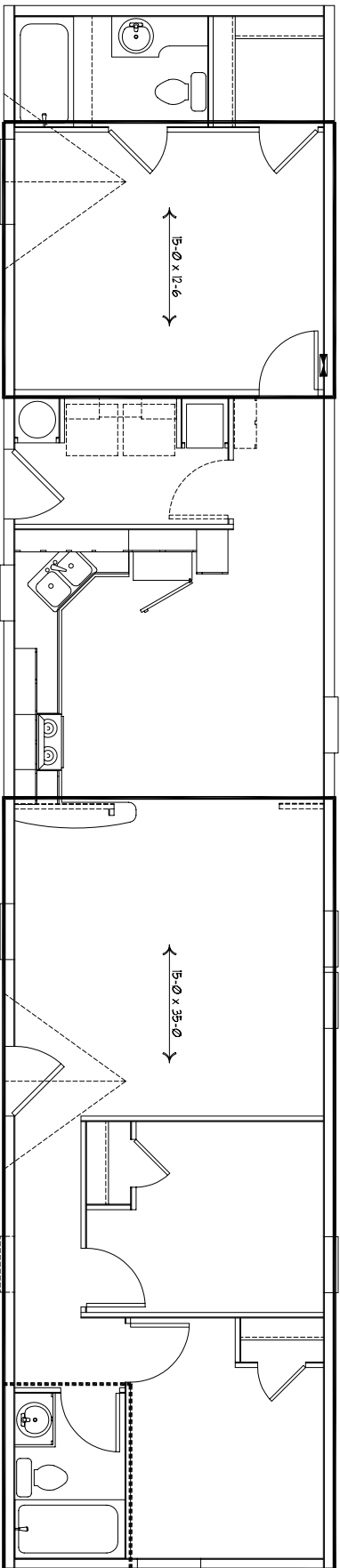
SHEET 1-A2

MODEL NO.

GEC 71N-08

DATE 12-21-07

REVISED -



OPTIONAL 3RD BEDROOM

STANDARD CARPET
 LIVING ROOM
 BEDROOM 1
 BEDROOM 2
 MASTER BEDROOM
 TOTAL 41'-6"

OPTIONAL CARPET
 KITCHEN/DINING ROOM 12'-6"
 UTILITY/HALL 6'-0"
 MASTER BATH/WARDROBE 5'-0"
 GUEST BATH 5'-0"
 SCRAP

 (30# ONLY)
 (20# & 30# ONLY)

PIER NO.	PIER CAPACITY (LBS.)	FOOTING SIZE REQUIRED (SQ. IN.)			PIER NO.	PIER CAPACITY (LBS.)	FOOTING SIZE REQUIRED (SQ. IN.)			PIER NO.	PIER CAPACITY (LBS.)	FOOTING SIZE REQUIRED (SQ. IN.)		
		1000 PSF	1500 PSF	2000 PSF			1000 PSF	1500 PSF	2000 PSF			1000 PSF	1500 PSF	2000 PSF
①	2000	288	192	144	③	4000	576	384	288	⑤	6000	864	576	432
②	2500	360	240	180	④	5000	720	480	360	⑥	8000	1152	768	576
⑦	10000	1440	960	720	⑧	12000	1728	1152	864					

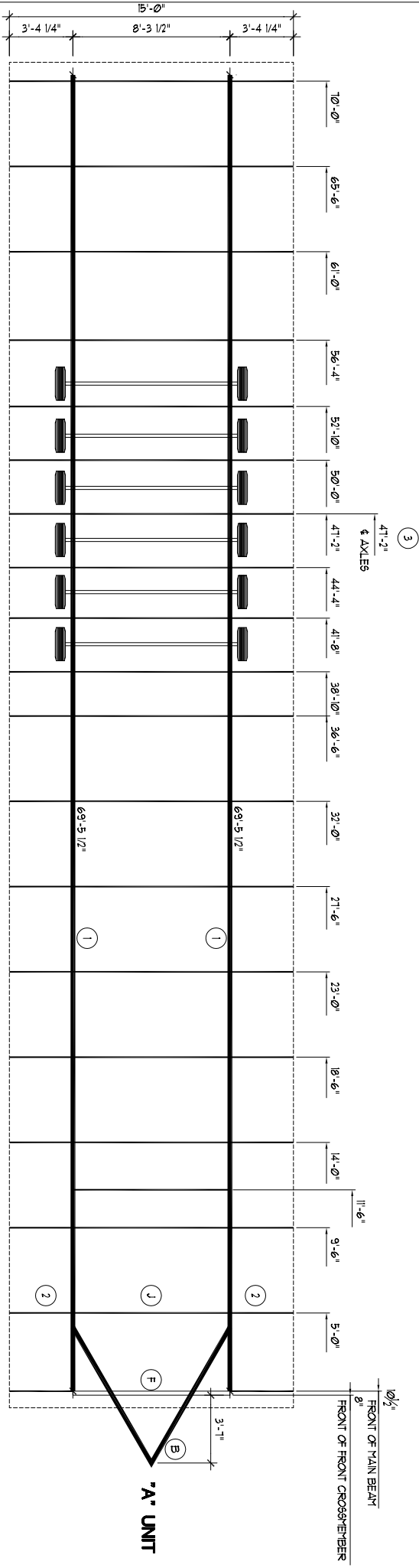
Manufacturing West, Inc.

Albany Division - Plant #972
 2445 S.W. PACIFIC BLVD.
 ALBANY, OR 97321
 Phone (541) 926-8631
 Fax (866) 491-6847

CARPET & PIER SUPPORT LOCATIONS
 DRAWING TITLE
 DRAWING FILE INFORMATION
 ALBANY DIVISION (6" WALLS)
 DRAWN BY: G. LUND

PIER NO.	PIER CAPACITY (LBS.)	FOOTING SIZE REQUIRED (SQ. IN.)	MODEL NO.
⑦	10000	1440	GEC 71N-08
⑧	12000	1728	GEC 71N-08

SQ. FT.	DATE
1,065	12-21-07
SHEET	REVISED
1-B2	-



- 5' WIDE LEGEND**
- 1- MAIN BEAM- 12" X 124 lb/ft
 - 2- OUTRIGGER - 9 1/2" X 40 1/8" (5'-0" WIDE) 2" FLANGE
 - 3- (6) AXLES - (6) BRAKING

- LEGEND**
- A - MAIN BEAM - 10" X 7.9 lb/ft
 - B - MAIN BEAM - 10" X 8.4 lb/ft
 - C - MAIN BEAM - 12" X 9.4 lb/ft
 - D - MAIN BEAM - 12" X 9.4 lb/ft
 - E - FRONT CROSSMEMBER - 1/4" C 10" X 99.5" (11'-0" X 13'-6" WIDE)
 - F - FRONT CROSSMEMBER - 1/4" C 12" X 99.5" (11'-0" X 13'-6" WIDE)
 - G - FRONT CROSSMEMBER - 1/4" C 10" X 99.5" (11'-0" X 13'-6" WIDE)
 - H - CROSSMEMBER - 14 GA. - 7 3/4" X 79 1/4" 2 5/8" FLANGE (8'-10" WIDE)
 - I - CROSSMEMBER - 14 GA. - 7 3/4" X 99 1/4" 2 3/4" FLANGE (11'-10" WIDE)
 - J - CROSSMEMBER - 14 GA. - 9 1/2" X 99 1/4" 3 1/4" FLANGE (12'-8" X 13'-6" WIDE)
 - K - OUTRIGGER - 12 GA. - 9 1/4" X 21 1/2" (16'-10" WIDE) 2" FLANGE
 - L - OUTRIGGER - 12 GA. - 9 1/4" X 21 1/2" (16'-10" WIDE) 2" FLANGE
 - M - OUTRIGGER - 14 GA. - 9 1/2" X 26 1/8" (12'-6" WIDE) 2" FLANGE
 - N - OUTRIGGER - 14 GA. - 9 1/2" X 31 1/8" (13'-6" WIDE) 2" FLANGE
 - O - OUTRIGGER - 14 GA. - 9 1/2" X 31 1/8" (13'-6" WIDE) 2" FLANGE
 - P - UNDER CARRIAGE ASSY - SINGLE AXLE - 1 BRAKING
 - Q - UNDER CARRIAGE ASSY - TANDEM AXLE - 2 BRAKING
 - R - UNDER CARRIAGE ASSY - TRIPLE AXLE - 2 BRAKING (11' OILER)
 - S - UNDER CARRIAGE ASSY - QUAD AXLE - 2 BRAKING (11' OILER)
 - T - UNDER CARRIAGE ASSY - QUAD AXLE - 2 BRAKING (11' OILER)
 - U - UNDER CARRIAGE ASSY - QUAD AXLE - 2 BRAKING (11' OILER)
 - V - UNDER CARRIAGE ASSY - QUAD AXLE - 2 BRAKING (11' OILER)
 - W - UNDER CARRIAGE ASSY - QUAD AXLE - 2 BRAKING (11' OILER)
 - X - MAINING ANGLE - DETAIL PER STRUCT. DWG. 9220-C
 - Y - AIR RETURN CROSSOVER MEMBER - 1/8" X 2" X 2" STEEL ANGLE

MANUFACTURING WASTY, INC.
 Albany Division - Plant #972
 2445 S.W. PACIFIC BLVD.
 ALBANY, OR 97321
 Phone (541) 926-6631
 Fax (866) 491-6847

DRAWING TITLE
 CHASSIS

DRAWING FILE INFORMATION
 ALBANY DIVISION (6" WALLS)

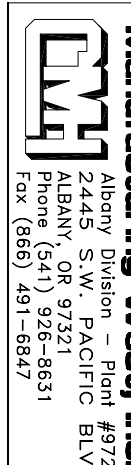
DRAWN BY : G. LUND

PRODUCT
 GEC

MODEL NO.
 GEC 71N-08

NOTES:
 1. CHASSIS AND HITCH DETAILS PER STRUCT. DWG. 92.00
 2. FLOOR OVERHANG DETAIL PER STRUCT. DWG. 93.02.B

SQ. FT. 1,065
DATE 12-21-07
SHEET 1-45
REVISED 1-22-08 GL



ALBANY DIVISION (6" WALLS)

CHASSIS

DRAWN BY : G. LUND

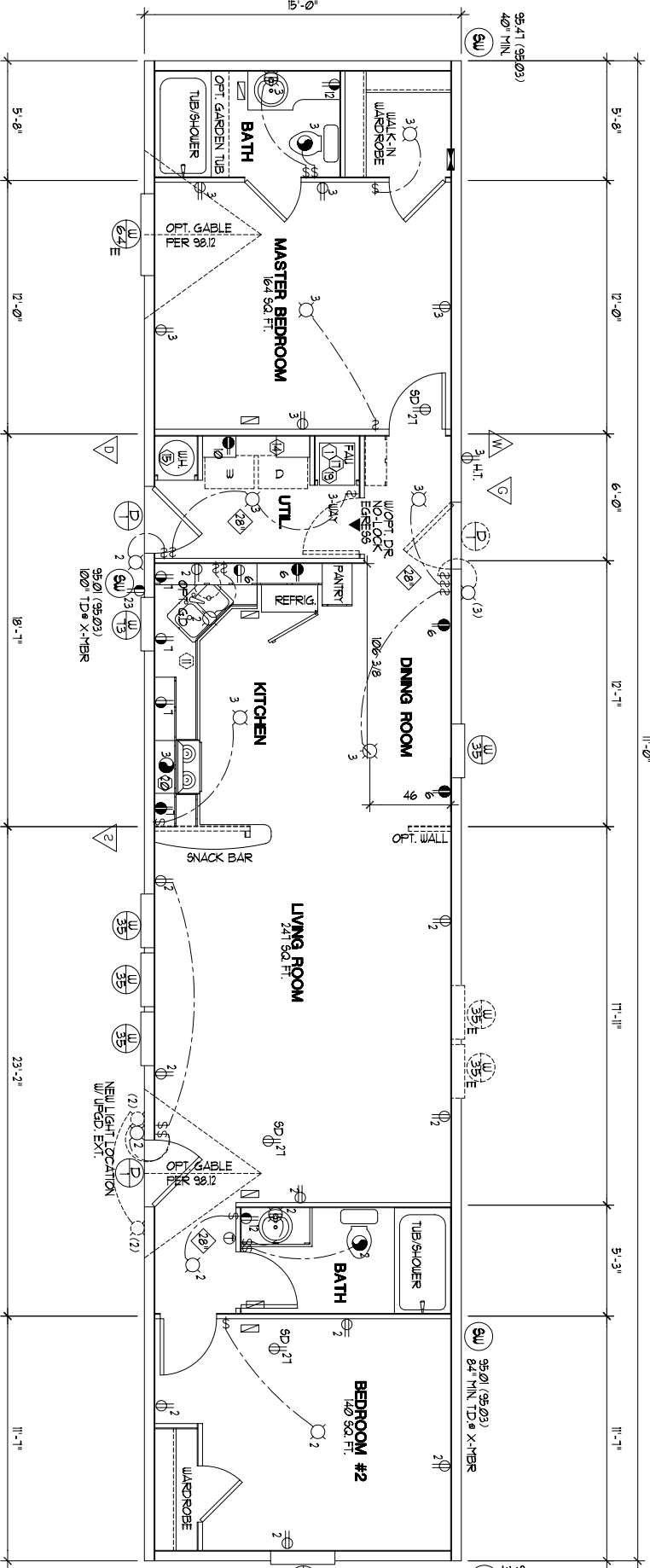
PRODUCT
 GEC

MODEL NO.
 GEC 71N-08

NOTES:
 1. CHASSIS AND HITCH DETAILS PER STRUCT. DWG. 92.00
 2. FLOOR OVERHANG DETAIL PER STRUCT. DWG. 93.02.B

SQ. FT. 1,065
DATE 12-21-07
SHEET 1-45
REVISED 1-22-08 GL

OPTIONAL BEDROOM 3 ON SHEET B



STRUCTURAL NOTES

1. ROOF DESIGN LOAD: 20 P.S.F. AND 30 P.S.F.
2. MAXIMUM ROOF BEAM SPAN: 24'- BEAM:20'-0" PER STRUCT. DWG. 98.03
3. ROOF PITCH: 4:12 OR LESS UNLESS NOTED OTHERWISE
4. INTERIOR BEARING WALLS PER 98.04 & 98.10
5. (2) 2x3 OR (1) 2x4 REQUIRED AT ALL PASSAGE DOOR OPENINGS AT LONGITUDINAL C.L. WALL UNLESS NOTED OTHERWISE

THERMAL & HEAT NOTES

CAPACITY OF AIR COOLING SUPPLY DUCT SYSTEM REGISTER SPLIT:	REGISTER SPLIT:	TOTAL BT.U.H.:
3/3	3/3	21,533

THERMAL ZONE II		THERMAL ZONE III	
HEAT LOSS R/U NO.:	MAX. GLAZING:	HEAT LOSS R/U NO.:	MAX. GLAZING:
---	---	48	212

HEAT LOSS R/U NO. --- MAX. GLAZING ---

GENERAL NOTES

1. FLOOR PLAN MAY BE CONSTRUCTED IN A SIDE TO SIDE REVERSE TO THAT SHOWN
2. 90° OR 96° NOMINAL SIDEWALL HEIGHT UNLESS NOTED OTHERWISE
3. CERT. LABELS, SERIAL NUMBERS, ETC. TO BE RELOCATED PER CODE REQUIREMENTS.

PRODUCT	MODEL NO.
GEC	GEC 71N-08

Manufacturing West, Inc.
 Albany Division - Plant #972
 2445 S.W. PACIFIC BLVD.
 ALBANY, OR 97321
 Phone (541) 926-6631
 Fax (866) 491-6847

DRAWING TITLE
 DRAWING FILE INFORMATION

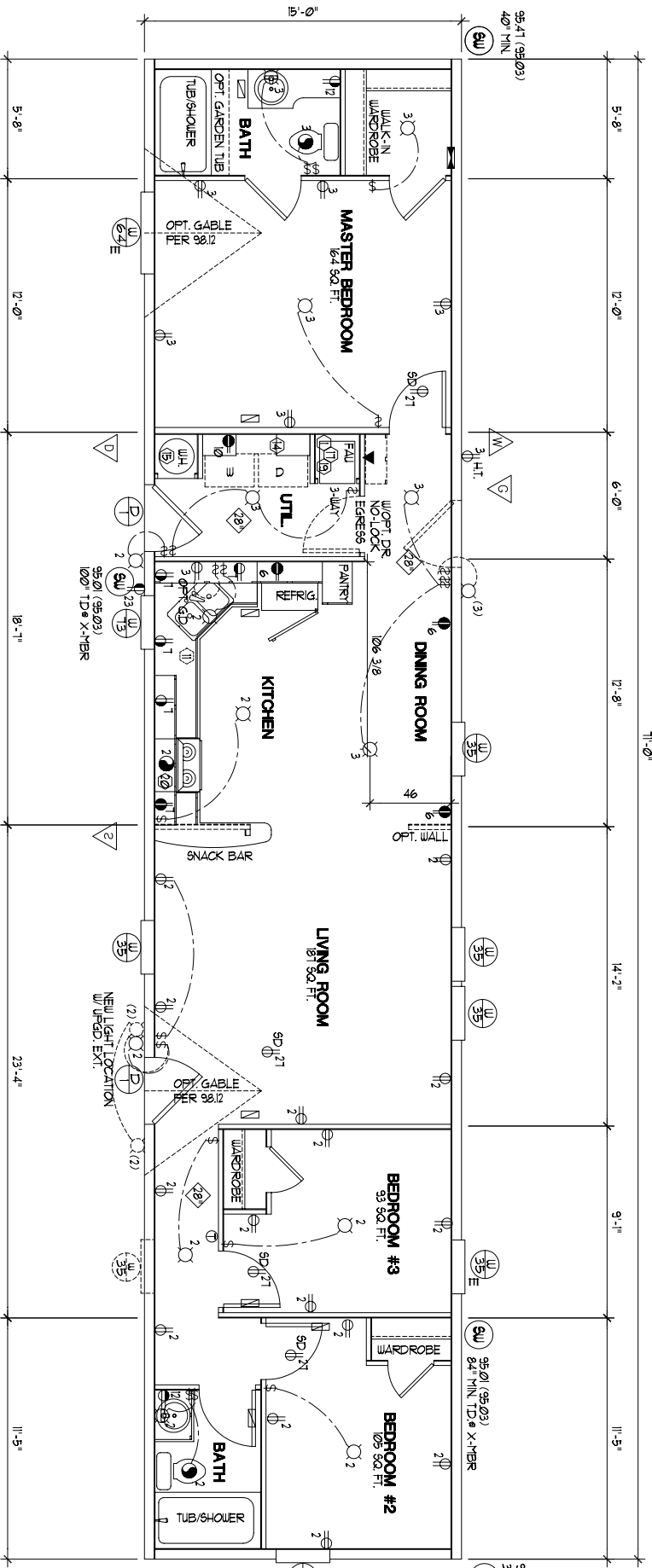
ELECTRICAL SCHEMATIC & APPROVAL FLOOR PLAN
 ALBANY DIVISION (6" WALLS)
 DRAWN BY: G. LUND

SQ. FT. 1,065
 SHEET 1-43

DATE 12-21-07
 REVISED 7-16-08 CL

LEGEND

- (SW) - SHEAR WALL
- (W/D) INFO PER WINDOW & DOOR SCHED.
- (W) - WATER INLET
- (G) - GAS INLET
- (S) - SEWER OUTLET
- (D) - DRYER VENT
- (E) - EGRESS WINDOW
- (#) - OPTION CIRCUIT INFO. PER DWG. 4.4
- (E) - EXHAUST FAN
- (L) - INCANDESCENT LIGHT
- (M) - MAIN ELECTRICAL PANEL BOX
- (T) - THERMOSTAT LOCATED PER CODE
- (15) - 15 AMP RECEPTACLE
- (20) - 20 AMP RECEPTACLE
- (SW) - WALL SWITCH
- (HT) - HEAT TAPE
- (SD) - SMOKE DETECTOR (15 OR 20 AMP)
- (GD) - GARBAGE DISPOSAL
- (GR) - GFI RECEPTACLE (15 OR 20 AMP)
- (R) - GFI RECEPTACLE (20 AMP)
- (20"x16") RETURN AIR GRILL - DOWNFLOW
- (4"x10" ADJ.) - FLOOR REGISTER DOWNFLOW
- (36" MINIMUM CLEARANCE REQUIRED) - FLUORESCENT LIGHT



OPTIONAL 3RD BEDROOM

STRUCTURAL NOTES

1. ROOF DESIGN LOAD: 20 P.S.F. AND 30 P.S.F.
2. MAXIMUM ROOF BEAM SPAN: 24'- BEAM:20'-0" PER STRUCT. DWG. 98.03
3. ROOF PITCH: 4:12 OR LESS UNLESS NOTED OTHERWISE
4. INTERIOR BEARING WALLS PER 98.04 & 98.10
5. (2) 2x3 OR (1) 2x4 REQUIRED AT ALL PASSAGE DOOR OPENINGS AT LONGITUDINAL C.L. WALL UNLESS NOTED OTHERWISE

THERMAL & HEAT NOTES

CAPACITY OF AIR COOLING SUPPLY DUCT SYSTEM REGISTER SPLIT:		TOTAL BT.U.H.:	
3/4	21,633	3/4	21,633
THERMAL ZONE II		THERMAL ZONE III	
HEAT LOSS RUN NO. ---	MAX. GLAZING ---	HEAT LOSS RUN NO. 48	MAX. GLAZING 212
HEAT LOSS RUN NO. ---	MAX. GLAZING ---	HEAT LOSS RUN NO. ---	MAX. GLAZING ---

GENERAL NOTES

1. FLOOR PLAN MAY BE CONSTRUCTED IN A SIDE TO SIDE REVERSE TO THAT SHOWN
2. 90° OR 96° NOMINAL SIDEWALL HEIGHT UNLESS NOTED OTHERWISE
3. CERT. LABELS, SERIAL NUMBERS, ETC. TO BE RELOCATED PER CODE REQUIREMENTS.

LEGEND NOTES:

1. ANY ABOVE SYMBOL MAY BE SHOWN DASHED INDICATING IT AS OPT.
2. BRANCH CIRCUIT NO. PER ELEC. DWG. 4.4

(SW)	- SHEAR WALL
(W/D)	- WINDOW PER DOOR SCHED.
(W)	- WATER INLET
(G)	- GAS INLET
(S)	- SEWER OUTLET
(D)	- DRYER VENT
(E)	- EGRESS WINDOW
(#)	- OPTION CIRCUIT INFO. PER DWG. 4.4
(I)	- INCANDESCENT LIGHT
(E)	- EXHAUST FAN
(E)	- MAIN ELECTRICAL PANEL BOX
(T)	- THERMOSTAT LOCATED PER CODE
(15)	- 15 AMP RECEPTACLE
(20)	- 20 AMP RECEPTACLE
(S)	- WALL SWITCH
(HT)	- HEAT TAPE RECEPTACLE
(SD)	- SMOKE DETECTOR (15 OR 20 AMP)
(GD)	- GARBAGE DISPOSAL
(R)	- GFI RECEPTACLE (15 OR 20 AMP)
(H2)	- GFI RECEPTACLE (20 AMP)
(R)	- 4"x10" ADJ. FLOOR REGISTER DOWNFLOW
(R)	- 36" MINIMUM CLEARANCE REQUIRED
(F)	- FLUORESCENT LIGHT

LEGEND

Manufacturing West, Inc.

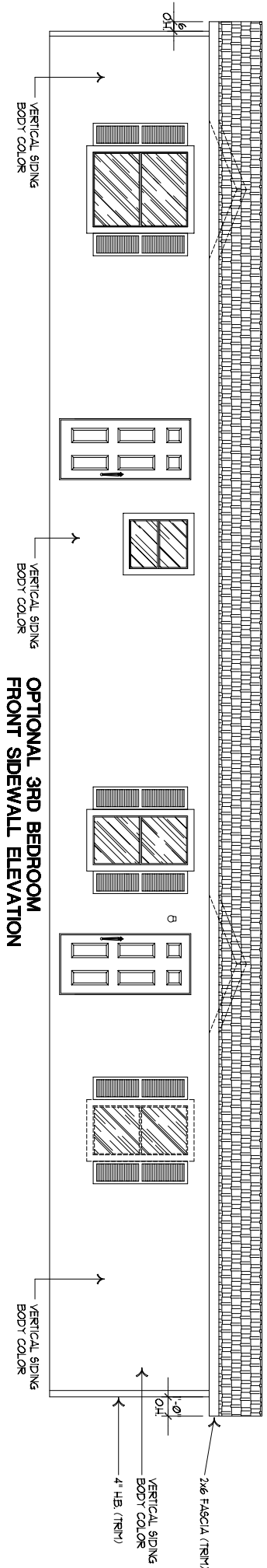
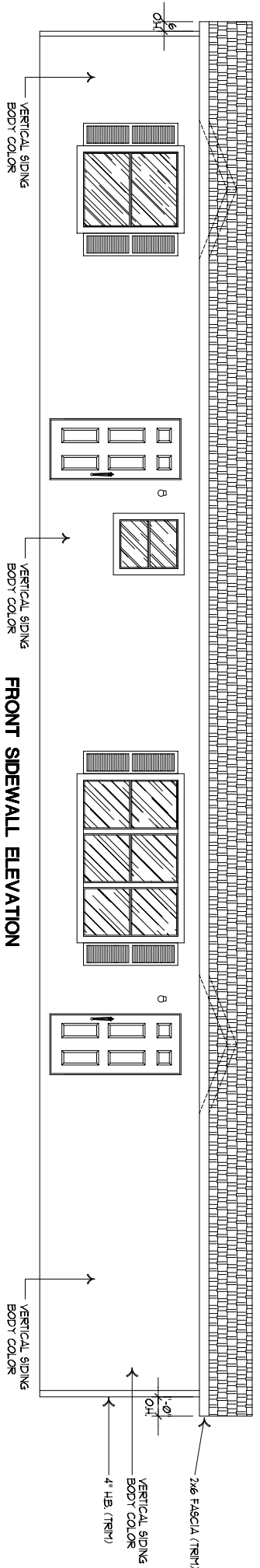
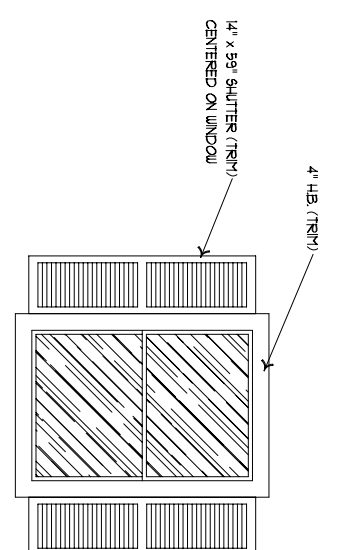
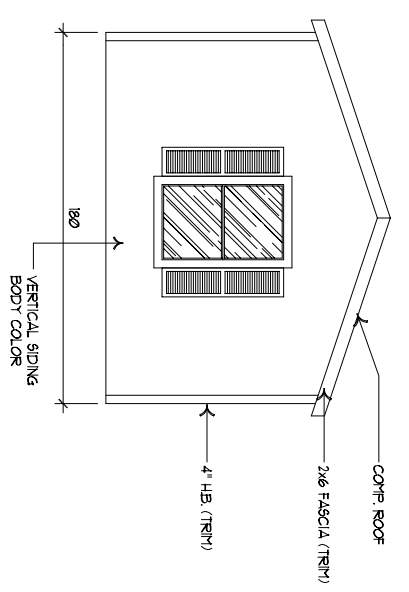
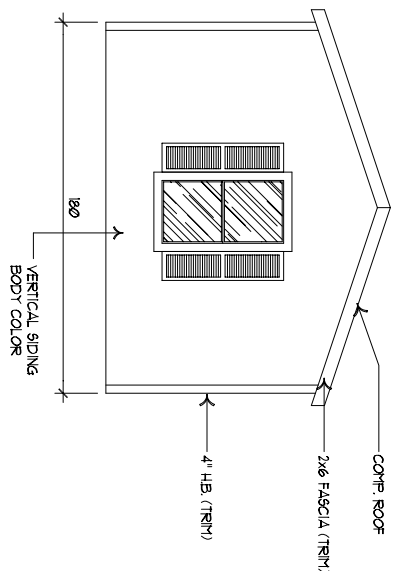
Albany Division - Plant #972
2445 S.W. PACIFIC BLVD.
ALBANY, OR 97321
Phone (541) 926-6631
Fax (866) 491-6847

ELECTRICAL SCHEMATIC & APPROVAL FLOOR PLAN

DRAWN BY: G. LUND

PRODUCT GEC
SQ. FT. 1,065
MODEL NO. GEC 71N-08
DATE 12-21-07
SHEET 1-B3
REVISED 7-16-08 CL

LEGEND



Manufacturing West, Inc.
 Albany Division - Plant #972
 2445 S.W. PACIFIC BLVD.
 ALBANY, OR 97321
 Phone (541) 926-8631
 Fax (866) 491-6847

DRAWING TITLE	EXTERIOR ELEVATIONS	
DRAWING FILE INFORMATION	ALBANY DIVISION (6" WALLS)	
DRAWN BY :	S. CHRONICLE	
PRODUCT	MODEL NO.	DATE
GEC	GEC 71N-08	12-21-07
SQ. FT.	SHEET	REVISED
	2-A	1-29-08 PG

